

BC



DOWNLOAD
THE BROCHURE



WATCH THE
VIDEO

BEACH CLEANERS

category



SSL High
Flow



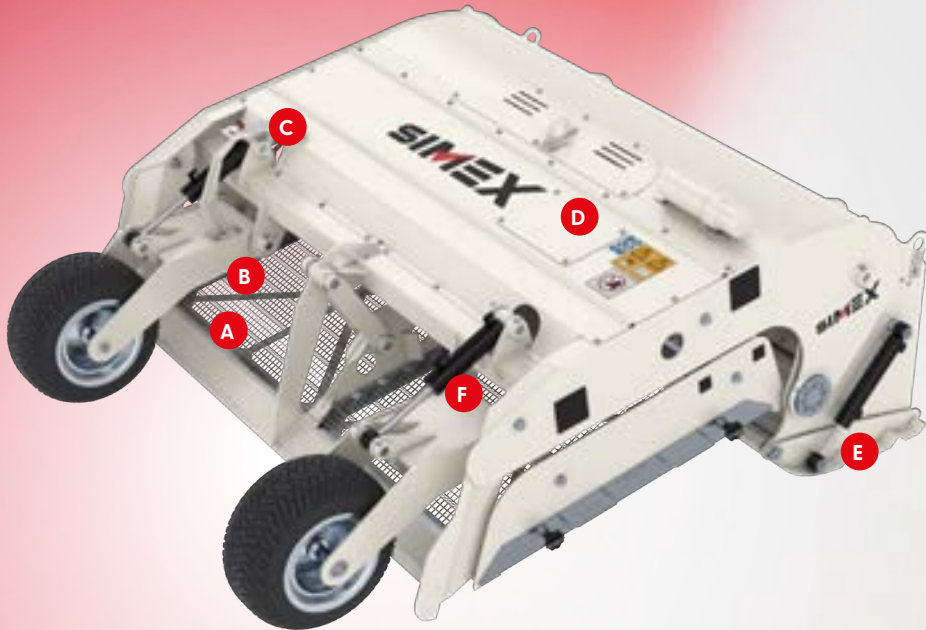
SSL High
Power



Front Loader

models

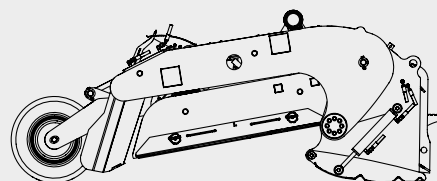
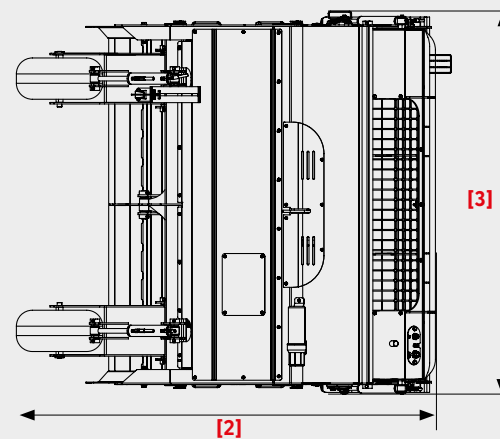
BC 200



Simex BC Beach Cleaners easily sift wet or dry sand to remove fine debris, small stones and cigarette butts. The debris is easily collected and discharged thanks to the high capacity hopper and hydraulic discharge activated from the cabin. Sifters available with screening grades in: 10x10 mm, 15x15 mm, 20x20 mm.



- A** Hydraulically-operated sifters
- B** Quick change of sifters.
Standard sifter: 15x15 mm.
- C** Optical control of working depth
- D** Electro-hydraulic distributor controlled by the operator in the cabin.
- E** Debris hopper: 350 l.
- F** Hydraulic depth adjustment.



SIMEX BC FOR BEACH CLEANING

Simex BC is specially designed to free the beach from all that small, hard-to-collect waste including cigarette butts, plastics of all kinds, masks, fishing hooks, rubble, glass fragments and cans.

TECHNICAL DATA		BC 200
Hopper capacity	l	350
	y ³	0.45
Weight (*)	kg	690
	lbs	1515
Maximum oil pressure	bar	250
	psi	3625
Required oil flow	l/min	70 - 90
	gpm	18 - 24
Sifting meshes – Screen size (standard)	mm	15x15
	inch	0.6 x 0.6
Sifting meshes – Screen size (optional)	mm	10x10 - 20x20
	inch	0.4x0.4 - 0.8x0.8
Working depth	mm	0 - 200
	inch	0 - 8
Total width [1]	mm	2035
	inch	80
Total length [2]	mm	2320
	inch	91

* The installer is responsible for ensuring that the equipment meets the prime mover's specifications and weight requirement. Simex does not accept responsibility or liability for the information provided. Technical modifications may vary without prior notice.